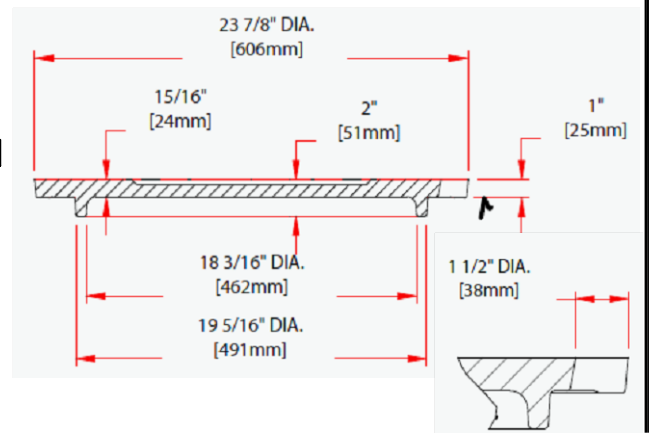


Section for EPIC Pickbar for Closed Pickhole  
Alternative



Section for Open Pickhole Detail  
Alternative

ADAMS COUNTY  
PUBLIC WORKS DEPARTMENT  
/ENGINEERING

4430 S. Adams County Pkwy.  
Brighton, CO 80601

STANDARD MANHOLE COVER  
for Public Structures

REVISION DATE:  
1/17/2019

FILE NAME:  
STORM MANHOLE

ADAMS COUNTY  
PUBLIC WORKS DEPARTMENT  
/CONSTRUCTION INSPECTION

4955 E. 74TH AVE.  
COMMERCE CITY, CO 80022