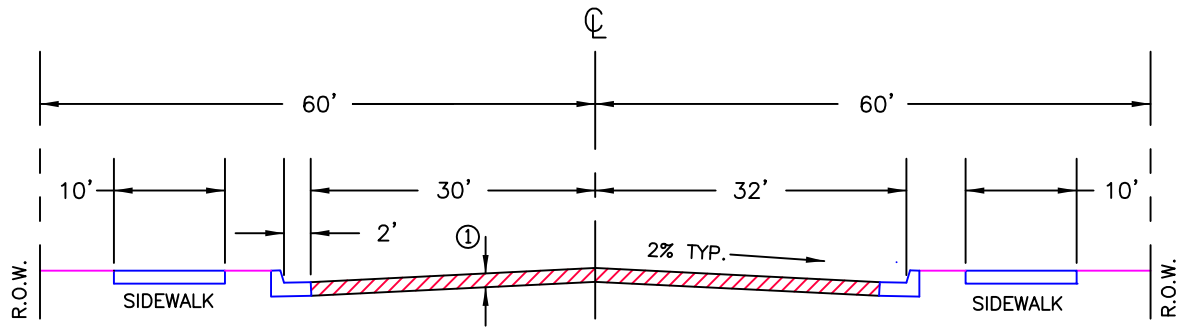
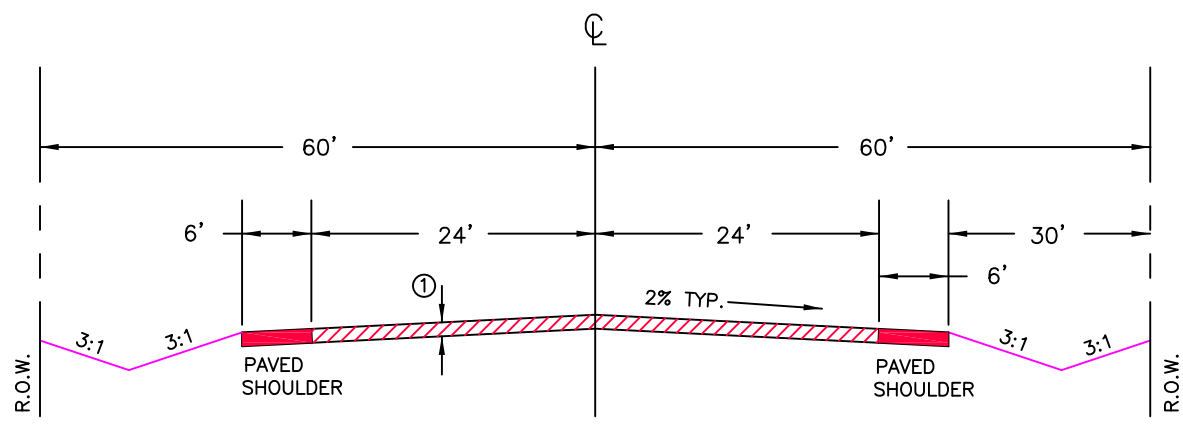


MAJOR ARTERIAL



MINOR ARTERIAL



MINOR ARTERIAL RURAL

NO SCALE

NOTE:

① PAVEMENT THICKNESS SHALL BE PER REQUIREMENTS OF CHAPT. 7, ROADWAY STANDARDS AND TECHNICAL CRITERIA

ADAMS COUNTY
TRANSPORTATION DEPARTMENT
/ENGINEERING

4430 S. ADAMS COUNTY PKWY.
BRIGHTON, CO 80601

**TYPICAL
CROSS SECTIONS**

REVISION DATE:
06/02/14

FILE NAME:
TYPXSECARTDET.DWG

ADAMS COUNTY
TRANSPORTATION DEPARTMENT
/CONSTRUCTION INSPECTION

4430 S. ADAMS COUNTY PKWY.
BRIGHTON, CO 80601